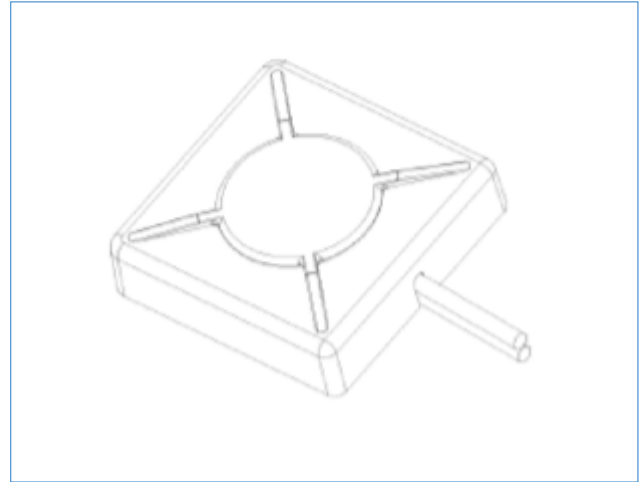


ERF4022, GSM/GPS Antenna, (2x)SMA Male connector

Features

Electrical Properties

| Parameter: | Description |
|--------------------|-------------|
| Frequency Band: | GPS/GSM |
| Nominal Impedance: | 50 Ω |
| Polarization: | Linear |
| V.S.W.R: | < 3.0 |



Mechanical Properties

| Parameter: | Description |
|------------------------------|---------------------------|
| Antenna Type: | External Antenna |
| Mounting Method: | Screw Type |
| Connector Type: | SMA Male(2x) |
| Antenna Dimensions: | 45 * 45* 14.4 mm ± 0.1 |
| Cable Length: | 500 cm ± 2 |
| Cable Type: | RG-174 A/U |
| Operating Temperature Range: | -20°C~+60°C |

Typical applications

- M2M
- GSM
- GPRS
- GPS/GLONASS

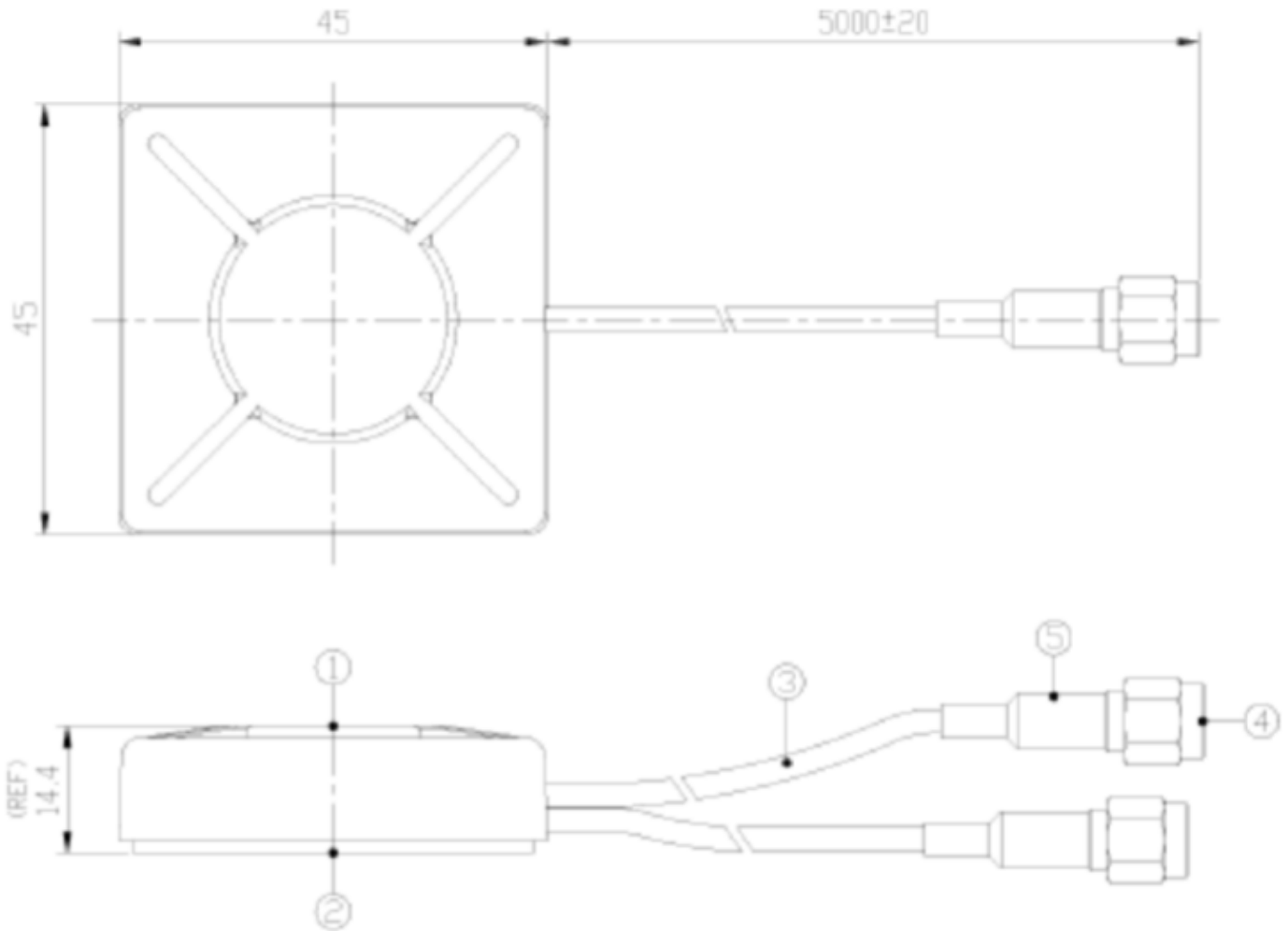
Description

The ERF4022 antenna is a black GSM/GPS antenna with 2x SMA Male connector and 5m cable. The antenna can be used for applications such as, M2M, GSM, GPRS, GPS/GLONASS and more.

ERF4022, GSM/GPS Antenna, (2x)SMA Male connector

Dimensions

*unit: mm



ERF4022, GSM/GPS Antenna, (2x)SMA Male connector

Connector**SMA Male****SMA Female****RP-SMA Male****RP-SMA Female**

The ERF4022 antenna uses 2x SMA Male connector.

Ordering information

Ordering can be done via www.summit-electronics.com or via info@summit-electronics.com. Please contact us for more information. Customisation of the product is available on request.

Technical support

For all product questions please contact us via info@summit-electronics.com